

# Mastercam X Design LT

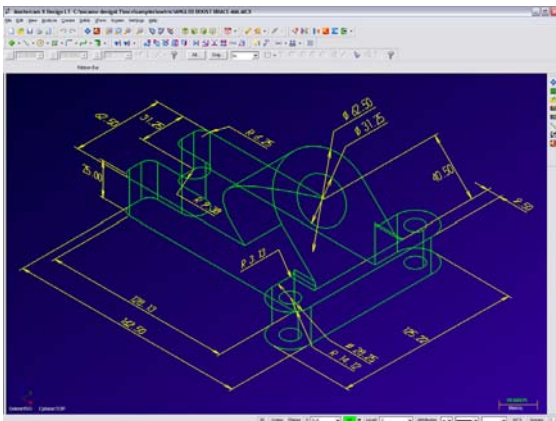
Mastercam X Design LT – Fast. Flexible. Reliable.

*Design LT is based on Mastercam X, the next generation of our popular Mastercam program. Mastercam X delivers a new simplified and customizable interface and powerful CAD tools. Design LT gives you access to the design and drafting functions of Mastercam X. Drawing in Design LT can be as free and dynamic as a pencil sketch or as mathematically precise as you need it to be. The cursor and mouse are your drawing tools, and the Create functions are your primary drawing aids. Design LT provides many CAD functions to make your job easier, and its streamlined CAD engine makes design work more efficient than ever before.*

## Logical Part Modeling

Whether you bring in models from other CAD systems or create your own, superior design tools are essential. Design LT makes your design work easier than ever before. Each piece of geometry you create is “live”, letting you quickly modify it until it’s exactly what you want. Traditional design functions are consolidated into a few simple clicks, which simplifies the creation of even the most complex parts.

- Easy 2D and 3D geometry creation with multiple ways to create entities.
- Create pre-filleted shapes to save time, including polygons, ellipses, spirals, and helixes.
- Easily model lettering, relief grooves, bounding boxes, doors, and stairs.
- Associative dimensions update as you change your model.
- AutoCursor™ snaps to commonly used points to simplify construction.
- Smart chaining selects an entire chain of entities at once and automates other selection tasks.



## Flexible Geometry Analysis Editing

Design LT delivers a full suite of analysis and editing tools, including:

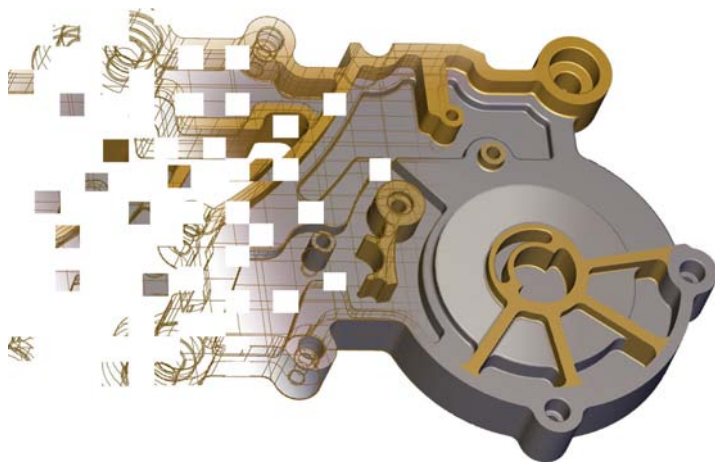
- Instantly analyze any entity for size, 2D area, location, entity type, and other attributes.
- Change widths, styles, and colors globally or for a single entity.
- Quickly modify parameters such as line length and arc radius after creation.
- Fillet or chamfer corners easily.
- Extend lines, arcs, splines, and surfaces.
- Quickly translate, mirror, and scale (uniformly or with separate factors in X, Y, and Z).
- Roll or create rectangular arrays or entities.
- Offset or project entities by a given distance.

## Easy Drafting

- Single-pick dimensioning.
- Modify dimensional geometry and its dimensions automatically update.
- Easily drag and place drafting notes as they are being created and change their attributes on the fly.

## File Management and Data Exchange

- Built-in data translators for IGES, Parasolid®, SAT (ACIS solids), Solid Edge® (PAR, PSM), SolidWorks® (SLDPRT), AutoCAD® (DXF, DWG, and Inventor™ files), STEP, EPS, CADL, STL, VDA, HPGL, and ASCII. (Solid models are translated as surfaces in Design LT.)
- Save a description of your files for easier browsing and loading.
- View files before opening them.
- Create patterns and merge them into your model.
- Integrate seamlessly with other editing applications.



## The Mastercam Family of Products

When you are ready to take the next step, you will find that the Mastercam X CAD/CAM product line offers everything you need to create fast, efficient, accurate programs for manufacturing:

### Mastercam Solids

Powerful Parasolid® based part modeling.

### Mastercam Design

Powerful 3D CAD software.

### Mastercam Mill

A comprehensive milling package with a new simplified, customizable interface, more power, and even faster, robust toolpath calculations. The software is available in three levels, with several options, so you can pick the one that best suits your needs.

### Mastercam Lathe

A powerful turning package that includes C-axis (mill/turn) programming.

### Mastercam Wire

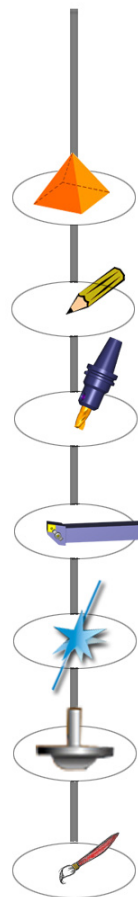
Comprehensive wire EDM programming tools.

### Mastercam Router

A state-of-the-art routing package that also offers tabs, webs, breakthrough control, and nesting. It is available in four levels, with several options, so you can pick the one that best suits your needs.

### Mastercam Art

Turn flat line art into artistic 3D work.



## Your Mastercam Reseller

CNC Software's network of Mastercam Resellers is a powerful resource, offering technical support, training, and up-to-date information on all CNC products. You can locate your local Mastercam Reseller through [mastercam.com](http://mastercam.com).

## System Requirements

*Processor:* 1.5 GHz Intel processor

*Operating System:* Windows® XP or Windows 2000 with latest service packs and updates;

.NET 1.1 framework and DirectX® version 9.0c

*Memory:* 512 MB RAM, 1 GB available hard disk space

*Graphics Card:* 64 MB OpenGL-compatible (minimum)

*Monitor:* 1024 x 768 resolution (minimum)

*Mouse:* Windows® compatible mouse

When compared with the competition, Mastercam X Design LT offers a high level of functionality coupled with incredible value. We do not offer a subscription or maintenance program with this product nor is there a reduced price to update to a newer version.